

EnviraLuxe Hinged Doors

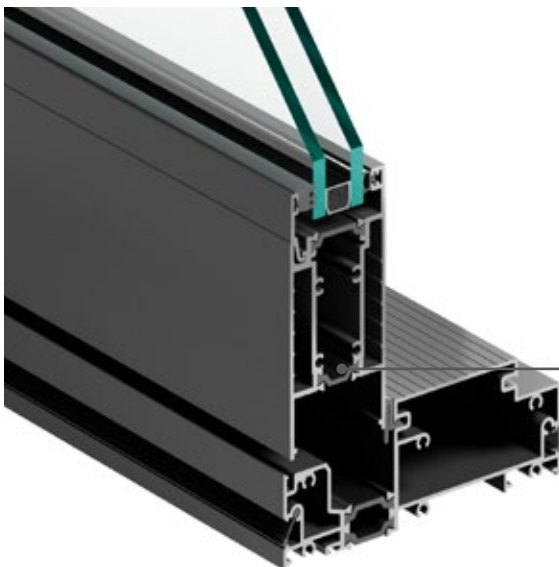
Thermally broken aluminium



EXCELLENT ENERGY EFFICIENCY YOU CAN COUNT ON.

Make a grand statement without sacrificing energy efficiency with the Enviraluxe hinged door. Designed in a variety of opening styles and configurations to suit your home and lifestyle needs.

- Robust modern frame help achieve bigger doors and better acoustics.
- Available in single and double (French door) configurations.
- Open in, open out, side lite, high lite options for design flexibility.
- Lever handle with multipoint locking for enhanced security.
- Brushed stainless steel lift off hinges that are easily adjustable on-site.
- Double doors built with a mushroom stop that closes the clearance gap to create a weather seal between the panels.
- High performance and energy-efficient double-glazing prevents heat transfer between inside and outside, reduces energy bills and offers year-round comfort.
- Flexible internal and external finishing options for all styles and tastes.
- Double glazing prevents heat transfer between inside and out-side and promotes high-performance energy efficiency.
- A range of glazing options to improve comfort, serenity, security and privacy.



Thermally Broken Frames

Provide optimum energy performance, reduce energy costs, and improve comfort.

EnviraLuxe Hinged Doors



Thermally broken aluminium

SPECIFICATIONS

Product	Hinged Door
Product Series	EnviraLuxe
Frame Profile	134mm x 35mm
Sill Options	Open in or open out
Max Frame	3000mm high
Max Panel	2620mm high x 1120mm wide
Sash Profile	Stiles – 90mm, rails – 100mm
Glazing	24mm Double glazing only
Bal Rating	BAL40
Seal Type	Vinyl wrapped foam seal
Colour Options	Black Matt, White Gloss, Surfmist Satin and Monument Matt
Screen Options	Insect screens and safety screens
Hardware Options	Hinged door handle – Brushed Nickel Hinges – Brushed stainless steel
Installation Options	By builder or Stegbar installation service
Warranty	10-year warranty

For full range of configurations and standard sizes refer to the standard size and range charts.



Lift off hinge

Durable stainless-steel lift off hinges allow the door to be adjusted onsite.

PERFORMANCE

Acoustic Performance	
Performance Criteria	Glass Type
RW31	Double glazing – 4/16Ar/4
RW35	Double glazing – 6.5 Vlam Hush/14Ar/4
RW35	Double glazing – 6.38 Lam/14Ar/4
RW34	Double glazing – 10.38 Lam/8Ar/6
RW32	Double glazing – 12.5 Vlam Hush/8Ar/4
Wind & Water Performance	
Performance Criteria	Rating
SLS	1200Pa
ULS	3000Pa
Water	200Pa
N rating	N4 corner
Thermal Performance	
Performance Criteria	Rating
Double glazed Uw range	2.0 – 3.1
Double glazed SHGC range	0.17 – 0.52

EnviraLuxe Hinged Doors



Thermally broken aluminium

HARDWARE



Lever Handle (outside)

Lever Handle (inside)

SCREENS



Aluminium screen
fixed externally

EnviraLuxe Hinged Doors



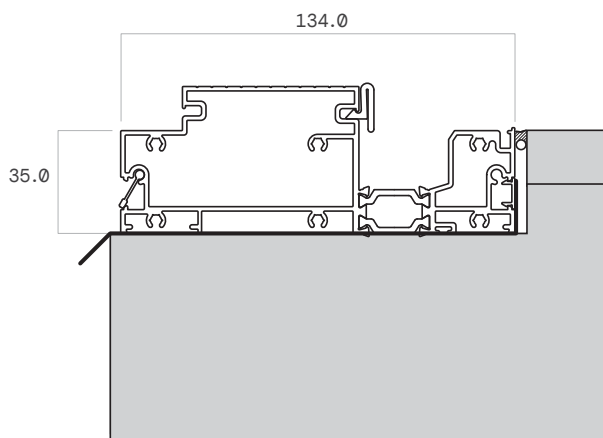
Thermally broken aluminium

SILL BUILDING IN DETAILS

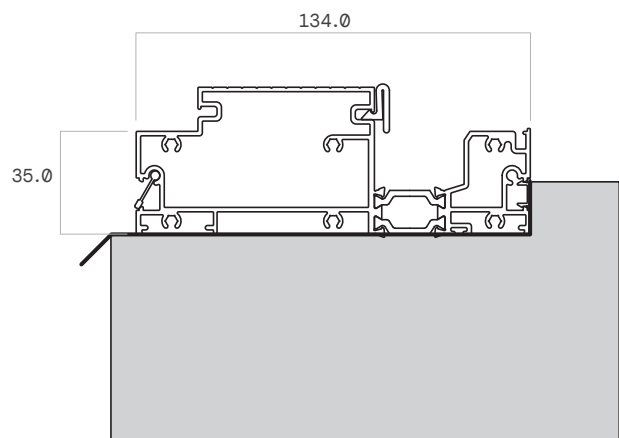
Hinge door open in sill



Flush threshold shown above



Flush threshold



Standard threshold

Concrete cutout is the responsibility of the builder.

EnviraLuxe Hinged Doors



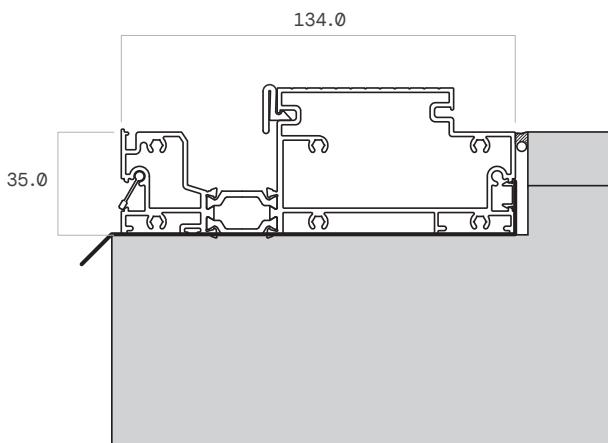
Thermally broken aluminium

SILL BUILDING IN DETAILS

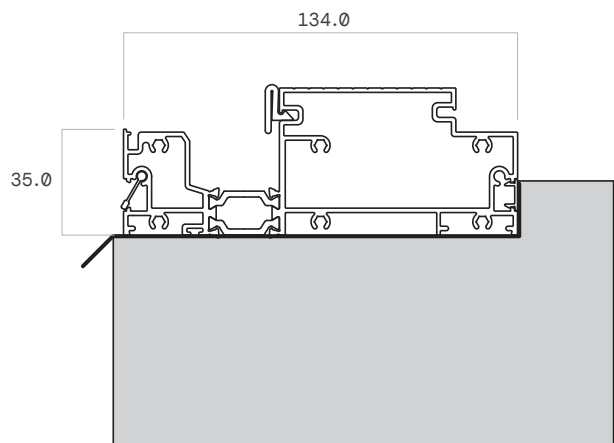
Hinge door open out sill



Flush threshold shown above



Flush threshold



Standard threshold

Concrete cutout is the responsibility of the builder.

Whilst the utmost care is taken to ensure the accuracy of the information contained herein, it is provided in the understanding that the company shall under no circumstances be liable for any injuries, expenses or other losses which may in any way be attributable to the use or adoption of such data and/or design details. Stegbar reserves the right to alter or amend without prior notice data and design details specified herein. stegbar.com.au STENAT0004/1223