

EnviraLuxe Sliding and Stacking Doors



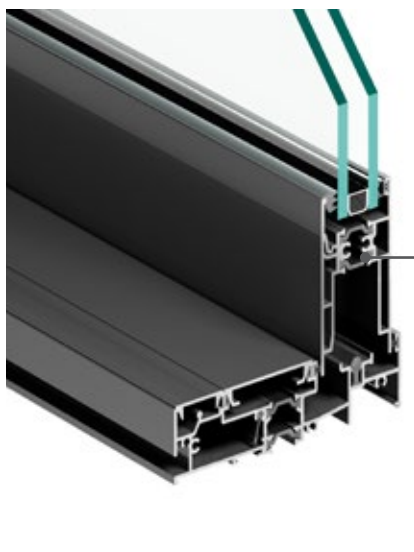
Thermally broken aluminium



A STYLISH, HIGH PERFORMING CHOICE.

With a strong, bold profile, and stunning premium hardware, the EnviraLuxe sliding and stacking doors offer the look of bespoke joinery. Door heights of up to 3000mm allow for maximum visual impact for Australian residential homes.

- Robust modern frame to achieve bigger doors up to 3000mm high.
- Lowline sill profile helps achieve flush thresholds with matching heights inside and out.
- Flip out flush pull handle with integrated lock, for applications where an understated hardware option is preferred. The flip out functionality makes opening large doors easy.
- Or make a statement with the D handle with matching die cast zinc escutcheon.
- Both the flush pull and D handle can be installed as double handles (same handle both sides of door), or combination configurations (mix and match between the handles).
- Overlapping interlocks provide uninterrupted views.
- Two types of interlockers depending on your performance needs.
- Bespoke heavy-duty 32mm roller system provides smooth and easy operation and installation.
- Integrated insect screen channel suits standard screens.
- Double glazing prevents heat transfer between inside and outside and promotes high-performance energy efficiency.
- Mohair seals improve sealing between panels for energy and acoustic performance.
- Concealed, shadow-line drainage slots.
- Available in a variety of configurations for design flexibility – including bi-parting and corner doors.
- Panels can be reversed on-site allowing for handling flexibility pre or post-installation.
- Panels are removable by lifting the sash up into the head, for easy maintenance of rollers and tracks.
- A range of glazing options to improve comfort, serenity, security and privacy.



Thermally Broken Frames

Provide optimum energy performance, reduce energy costs, and improve comfort.

EnviraLuxe Sliding and Stacking Doors



Thermally broken aluminium

SPECIFICATIONS

Product	Sliding and Stacking Doors
Product Series	EnviraLuxe
Frame Profile	Sliding door: 134mm x 35mm (jamb/sill), 40mm (head) Stacking door: 210mm x 35mm (jamb/sill), 40mm (head)
Sill Options	Accessible sill as standard
Max Frame	3000mm high
Max Sash	2940mm high x 1500mm wide
Sash Profile	Lock stile - 103mm, rails - 82mm, interlock - 58mm
Glazing	24mm Double glazing only
Bal Rating	BAL40
Seal Type	Mohair with a fin
Colour Options	Black Matt, White Gloss, Surfmist Satin and Monument Matt
Screen Options	Insect screens and safety screens
Hardware Options	D handle - Black or Brushed Nickel Flush pull handle - Black or Brushed Nickel
Installation Options	By builder or Stegbar installation service
Warranty	10-year warranty

For full range of configurations and standard sizes refer to the standard size and range charts.



Accessible slimline flat sill

Achieve flush thresholds with matching heights inside and out.

PERFORMANCE

Acoustic Performance	
Performance Criteria	Rating
RW31	Double glazing – 4/16Ar/4
RW33	Double glazing – 6.38 Lam/14Ar/4
RW34	Double glazing – 6.5 Vlam Hush/14Ar/4
RW33	Double glazing – 10.38 Lam/8Ar/6
RW35	Double glazing – 12.5 Vlam Hush/8Ar/4
Wind & Water Performance	
Performance Criteria	Rating
SLS	1200Pa
ULS	3000Pa
Water	200Pa
N rating	N4 corner
Thermal Performance	
Performance Criteria	Rating
Double glazed Uw range	1.8 – 3.1
Double glazed SHGC range	0.19 – 0.61

EnviraLuxe Sliding and Stacking Doors



Thermally broken aluminium

HARDWARE



D handle (inside or outside)



Flush pull handle (inside or outside)

SCREENS



Aluminium sliding screen fixed externally



Aluminium stacking screen fixed externally

EnviraLuxe Sliding and Stacking Doors



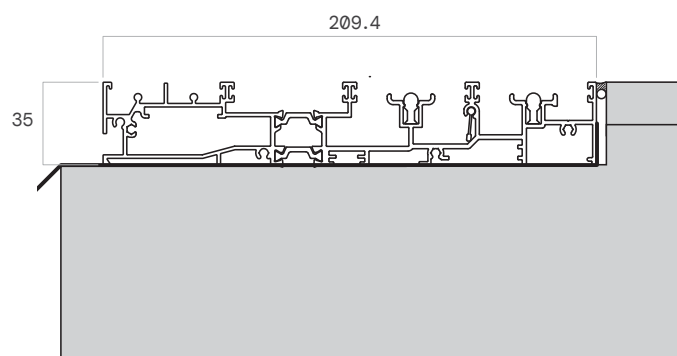
Thermally broken aluminium

SILL BUILDING IN DETAILS

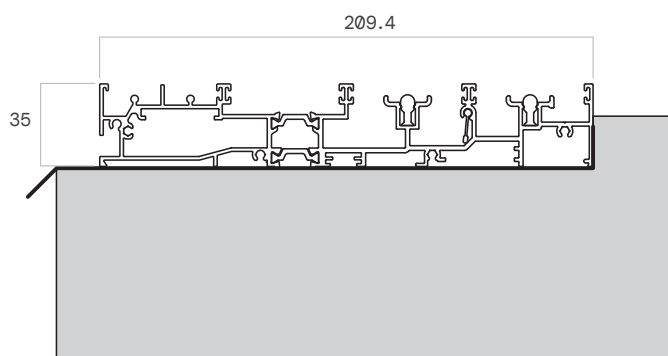
210mm Stacking door sill



Flush threshold shown above



Flush threshold



Standard threshold

Concrete cutout is the responsibility of the builder.

EnviraLuxe Sliding and Stacking Doors



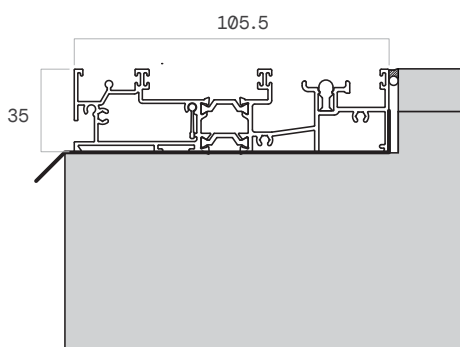
Thermally broken aluminium

SILL BUILDING IN DETAILS

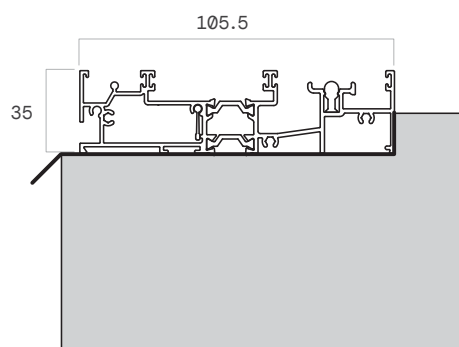
134mm Sliding door sill



Flush threshold shown above



Flush threshold



Standard threshold

Concrete cutout is the responsibility of the builder.

Whilst the utmost care is taken to ensure the accuracy of the information contained herein, it is provided in the understanding that the company shall under no circumstances be liable for any injuries, expenses or other losses which may in any way be attributable to the use or adoption of such data and/or design details. Stegbar reserves the right to alter or amend without prior notice data and design details specified herein. stegbar.com.au STENAT0003/1223